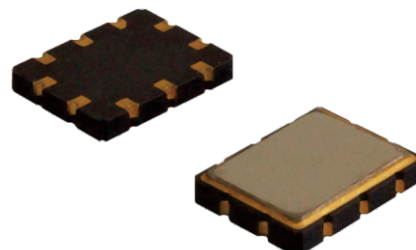


**SMD / DIP Type**
**Zero IF Filters**
**Multi-Size**
**Multi-Spec**
**Low Insetion Loss**
**Frequency Range**
**110MHz~2665MHz**

## Features

- Low-loss SAW component
- Low amplitude ripple
- Electrostatic Sensitive Device (ESD)
- Low insertion loss
- RoHS Compliant
- Multiple specification and multi-size
- Frequencies from 70MHz to 140MHz
- Applications: Medical, Wireless communication, Cellular phone, Repeater, LTE, Pager, STB, Base station, etc.



## Standard Specifications

Part Number	Center Frequency (MHz)	Pass Bandwidth (MHz)	Insertion Loss (dB) max.	Package Code
SF3222	337.4	12	32	QCC12
SF4176	435	12	70	QCC8C
SF4206	455.4	12	31	QCC12C
SF4010	480	18	18(3dB)	QCC8C
SF4053	480	18	18(3dB)	TO39
SF5124	512.2	12	30	QCC12C
SF5126	514.25	13	28	QCC12C
SF6115	690.5	30	6.8	QCC12C
SF7132	720	17	126(3dB)	QCC8C
SF7134	720	12	1.5	QCC12C
SF7135	720	11	2	QCC12C
SF7136	720	11	3	QCC12C
SF7137	720	13	8	QCC12C
SF8133	899	33	24.00(3dB)	QCC12

## Dimensions [Unit: mm]

SMD / DIP Type

Zero IF Filters

Multi-Size

Multi-Spec

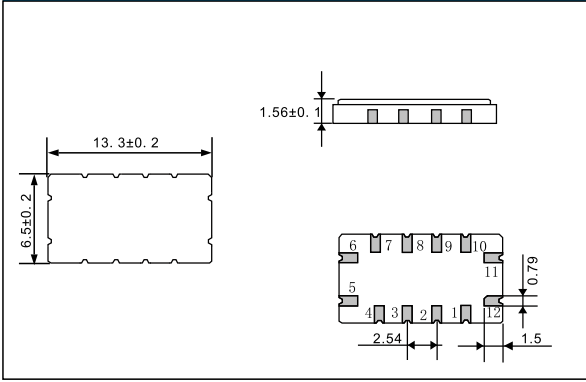
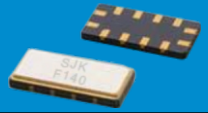
Low Insetion Loss

Frequency Range

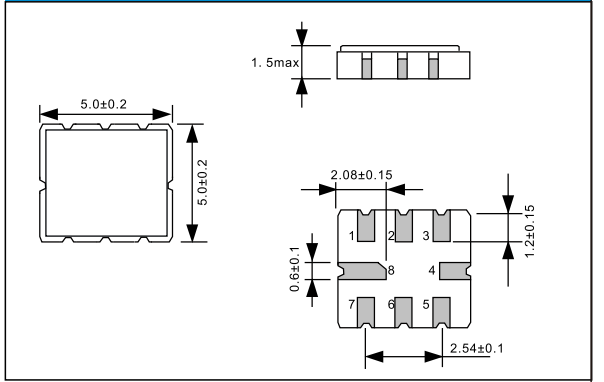
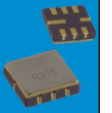
110MHz~2665MHz

Dimensions [Unit: mm]

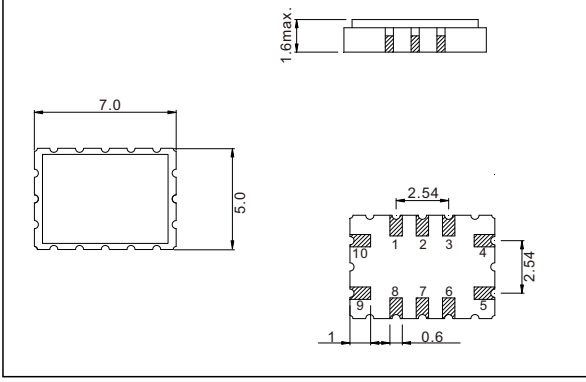
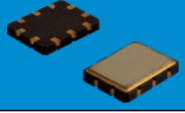
QCC12



QCC8C



QCC12C



TO-39

