

DIP Type

6X

[36.3×27.2×12.7 mm]

Waveform

**LVTTTL / HCMOS
Sine Wave**

Best Stability

±0.05 ppb

DIP

Voltage Control

Supply Voltage

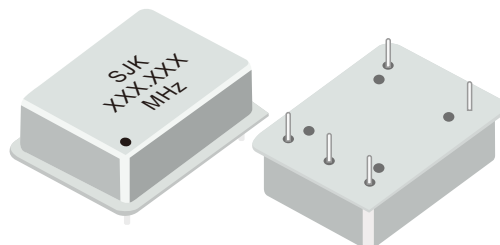
3.3V / 5.0V 12V

Frequency Range

5 MHz~100 MHz

Features

- Oven Controlled Crystal Oscillator (OCXO)
- Dimension 36.3×27.2×12.7 mm, thru-hole package
- Frequency range from 5MHz to 100MHz.
- ±0.5ppb stability over -40°C to +85°C.
- Stratum 3 (Overall ±4.6ppm including 10 years aging.)
- Voltage control (Electronic frequency tuning) is available.
- RoHS Compliant
- Applications: smart cell, digital switch, telecommunication device, synthesizer, test and instrumentation, etc.



Standard Specifications

6X (36.3×27.2×12.7 OCXO)			
Output Frequency	5.000MHz~40.000MHz		5.000MHz~100.000MHz
Wave Form	Rectangular	Rectangular	Sine Wave
Level	LVTTTL	HCMOS	6~10 dBm
"1" Level	90% Vcc	90% Vcc	-
"0" Level	10% Vcc	10% Vcc	-
Duty Cycle	45%~55%	45%~55%	-
Rise/Fall time / Harmonics	6ns max.	-	-30dBc max.
Load	15pF	15pF	50Ω
Spurious	-60dBc max.	-60dBc max.	-60dBc max.
Frequency stability Tolerance	±5ppb	±0.1ppb	±50ppb
vs. Temperature	±3ppb~±10ppb	±0.05ppb~±0.5ppb	±100ppb max.
vs. Supply voltage	±0.5ppb max.	±0.1ppb max.	±20ppb max.
vs. Load	±0.5ppb max.	-	±50ppb max.
vs. Warm-up	±10ppb max.	±20ppb max.	±0.1ppm max.
vs. Short term	±0.05ppb/s max.	±0.01ppb/10s max.	±0.1ppb max.
vs. Aging	-	-	-
Daily	±0.5ppb max.	±0.2ppb max.	±3.0ppb max.
Yearly	±50ppb max.	±40ppb max.	±0.3ppm max.
10 Years	±0.3ppm max.	±200ppb max.	±1.5ppm max.

DIP Type

6X

[36.3×27.2×12.7 mm]

Waveform

LVTTTL / HCMOS
Sine Wave

Best Stability

±0.05 ppb

DIP

Voltage Control

Supply Voltage

3.3V / 5.0V 12V

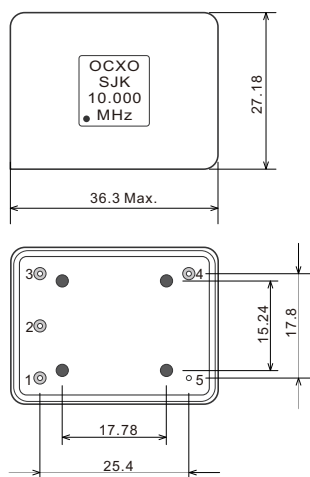
Frequency Range

5 MHz~100 MHz

Standard Specifications

6X (36.3×27.2×12.7 OCXO)				
Output Frequency		5.000MHz~40.000MHz		5.000MHz~100.000MHz
Phase noise	@10Hz	-120dBc/Hz max.	-120dBc/Hz max.	-100dBc/Hz (fo=100MHz)
	@100Hz	-135dBc/Hz max.	-140dBc/Hz max.	-130dBc/Hz (fo=100MHz)
	@1KHz	-145dBc/Hz max.	-150dBc/Hz max.	-155dBc/Hz (fo=100MHz)
	@10KHz	-155dBc/Hz max.	-155dBc/Hz max.	-162dBc/Hz (fo=100MHz)
	@100KHz	-155dBc/Hz max.	-160dBc/Hz max.	-168dBc/Hz (fo=100MHz)
Electrical Frequency Adjustment		-	-	-
Tuning range		±0.5ppm max.	±0.8ppm max.	±2.0ppm max.
Control voltage		0~5V / 0~4V	0~2.8V	0~10V (Vcc=12V)
Slope		Positive	Positive	Positive
Center voltage		+2.5V / +2.0V	+1.4V	+5V (Vcc=12V)
Linearity		±10%	±10%	±10%
Input impedance		100KΩ max.	50KΩ max.	25KΩ max.
Power	Voltage	5.0V / 12V	3.3V / 5.0V	5.0V / 12V
	Current	800mA	1.75A	350mA
	State state	1.3W max.	2.5W max.	1.5W max.
Temperature	Operating temperature	-40°C~+85°C	-30°C~+85°C	-40°C~+85°C
	Storage temperature	-55°C~+105°C	-40°C~+85°C	-55°C~+105°C

Dimensions And Pin-functions (Unit: mm)



Pin Connections

Pin No.	Connection
1	Vco Input /NC
2	Reference Voltage /NC
3	Vcc
4	R.F. Output
5	0 Volts & Case

