

Features

- Input / Output Impedance: 1000Ω ~ 2000Ω
- Highly Selective Ceramic Filters
- Center frequency: 450kHz, 455kHz
- RoHS Compliant
- Insertion Loss (dB) max: 4 db, 6 db
- Pass Band Ripple (dB) max: 2 db
- Applications: Mobile cellular, etc



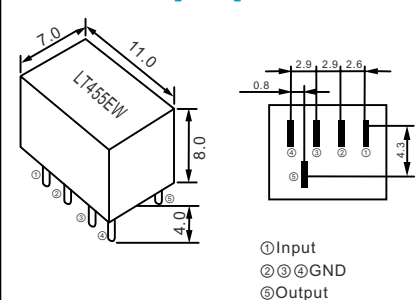
Standard Specification (455KHz)

Part Number	Center Frequency (KHz)	Insertion Loss (dB) Max.	Passband Ripple (dB) Max.	6dB Band Width (KHz) Min.	50dB Band Width (KHz) Min.	Stop Band Att. ±100KHz (dB) Min.	Input /Output Impedance (Ω)
LT455BW	455±2.0	4	2	±15	±30	40	1500
LT455CW	455±2.0	4	2	±12.5	±24	40	1500
LT455DW	455±1.5	4	2	±10	±20	40	1500
LT455EW	455±1.5	6	2	±7.5	±15	40	1500
LT455FW	455±1.5	6	2	±6	±12.5	40	2000
LT455GW	455±1.5	6	2	±4.5	±10	40	2000
LT455HW	455±1.0	6	2	±3	±9	40	2000
LT455IW	455±1.0	6	2	±2	±7.5	40	2000
LT455HTW	455±1.0	6	2	±3	±9	60	2000

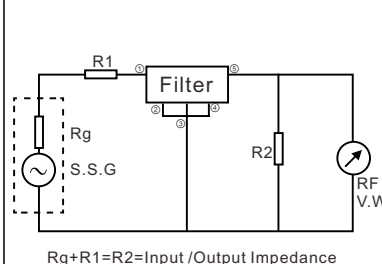
Standard Specification (450KHz)

Part Number	Center Frequency (KHz)	Insertion Loss (dB) Max.	Passband Ripple (dB) Max.	6dB Band Width (KHz) Min.	50dB Band Width (KHz) Min.	Stop Band Att. ±100KHz (dB) Min.	Input /Output Impedance (Ω)
LT450BW	450±2.0	4	2	±15	±30	40	1500
LT450CW	450±2.0	4	2	±12.5	±24	40	1500
LT450DW	450±1.5	4	2	±10	±20	40	1500
LT450EW	450±1.5	6	2	±7.5	±15	40	1500
LT450FW	450±1.5	6	2	±6	±12.5	40	2000
LT450GW	450±1.5	6	2	±4.5	±10	40	2000
LT450HW	450±1.0	6	2	±3	±9	40	2000
LT450IW	450±1.0	6	2	±2	±7.5	40	2000
LT450HTW	450±1.0	6	2	±3	±9	60	2000

Dimensions[mm]



Test Circuit



Characteristics

