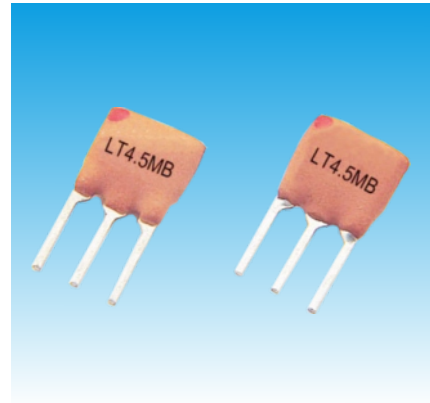


### Features

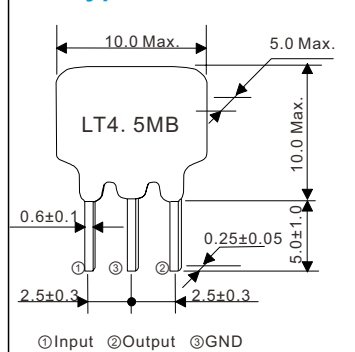
- Excellent spurious suppression characteristics within video signal band
- Available 4 pass bandwidth variation to meet various requests
- Low profile (H = 10.0mm max.)
- Applications: TV, VCR Stage, etc



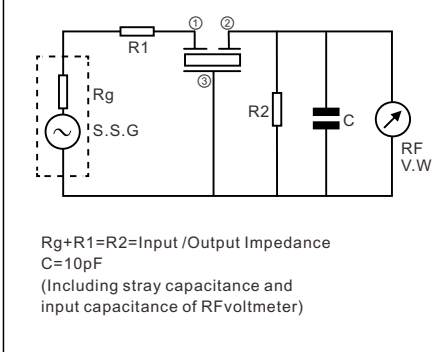
### Standard Specification

Part Number	Center Frequency (MHz)	3dB Band Width (KHz) Min	20dB Band Width (KHz) Max.	Insertion Loss (dB) Max.	Spurious Attenuation (9-12MHz) (dB) Min	Input /Output Impedance (Ω)
LT4.5MB	4.500	$f_0 \pm 60$	530	6.0	20(4.5 <sup>+0.8</sup> <sub>-1.0</sub> MHz)	1000
LT5.5MB	5.500	$f_0 \pm 75$	550	6.0	25(5.5±1MHz)	600
LT6.0MB	6.000	$f_0 \pm 80$	600	6.0	25(6.0±1MHz)	470
LT6.5MB	6.500	$f_0 \pm 80$	630	6.0	25(6.5±1MHz)	470

### DIP Type Dimensions



### Test Circuit



### Characteristics

