

Electrical Characteristics For DIP Type

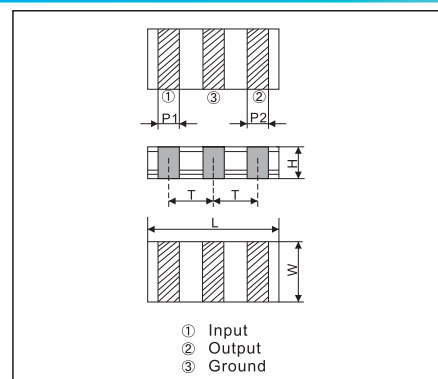
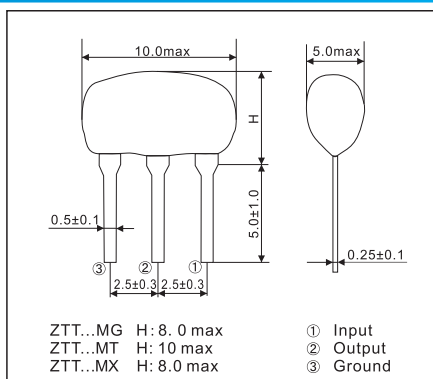
Part Number	Frequency Range(MHz)	Frequency Accuracy(at25°C)	Frequency Stability	Operating Temperature	Aging for Ten Year(%)
ZTT...MG	1.79~6.00	±0.5	±0.3	-25~+85°C	±0.3
ZTT...MT	6.00~13.00	±0.5	±0.3	-25~+85°C	±0.3
ZTT...MX	13.00~60.00	±0.5	±0.3	-25~+85°C	±0.3

Electrical Characteristics For SMD Type

Part Number	Frequency Range(MHz)	Frequency Accuracy(at25°C)	Frequency Stability	Operating Temperature	Aging for Ten Year(%)
ZTTCC...MG	2.00~8.00	±0.5	±0.3	-25~+85°C	±0.3
ZTTCR...MG	4.00~8.00	±0.5	±0.3	-25~+85°C	±0.3
ZTTCE...MG	8.00~12.00	±0.5	±0.3	-25~+85°C	±0.3
ZTTCS...MT/MX	6.00~60.00	±0.5	±0.3	-25~+85°C	±0.3
ZTTCV...MT/MX	8.00~60.00	±0.5	±0.3	-25~+85°C	±0.3
ZTTCW...MX	20.00~60.00	±0.5	±0.3	-25~+85°C	±0.3
ZTTCZ...MX	24.00~60.00	±0.5	±0.3	-25~+85°C	±0.3
ZTTCP...MG	2.00~12.00	±0.5	±0.3	-25~+85°C	±0.3

Dimensions

Units:mm



Part Number	Size (mm)					
	L	W	H	P1	P2	T
ZTTCC...MG	7.4±0.2	3.4±0.2	1.8±0.2	1.2±0.2	1.2±0.2	2.5±0.2
ZTTCR...MG	4.5±0.2	2.0±0.2	1.2max	0.8±0.2	0.8±0.2	1.5±0.2
ZTTCE...MG	3.2±0.2	1.3±0.2	1.0max	0.4±0.2	0.4±0.2	1.2±0.2
ZTTCS...MX/MT	4.7±0.2	4.1±0.2	(1.2+A)±0.2	1.0±0.2	0.8±0.2	1.95±0.2
ZTTCV...MT/MX	3.7±0.2	3.1±0.2	(1.0+A)±0.2	0.9±0.2	0.7±0.2	1.0±0.2
ZTTCW...MX	2.5±0.2	2.0±0.2	1.2max	0.5±0.2	0.4±0.2	1.0±0.2
ZTTCZ...MX	2.2±0.2	1.8±0.2	1.2max	0.4±0.2	0.5±0.2	0.85±0.2
ZTTCP...MG	6.0±0.2	3.0±0.2	1.8±0.2	1.2±0.2	1.2±0.2	2.5±0.2

Note: A stands for thickness of the ceramic element, which varies with the frequency. The range of the thickness difference is 0.1 to 0.7mm.
 No middle terminal for ZTA series.