

Electrical Characteristics For DIP Type

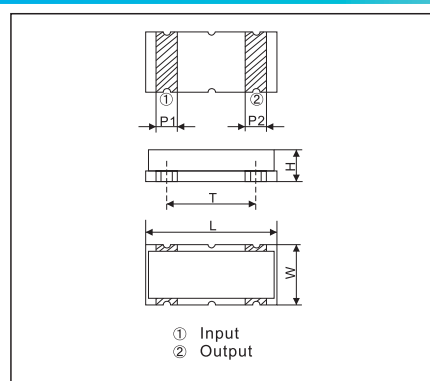
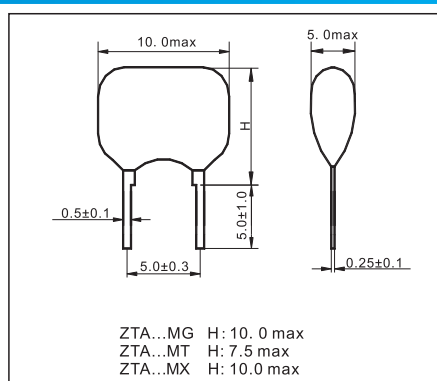
Part Number	Frequency Range(MHz)	Frequency Accuracy(at25°C)	Frequency Stability	Operating Temperature	Aging for Ten Year(%)
ZTA...MG	1.79~6.00	±0.5	±0.3	-25~+85°C	±0.3
ZTA...MT	6.00~13.00	±0.5	±0.3	-25~+85°C	±0.3
ZTA...MX	13.00~60.00	±0.5	±0.3	-25~+85°C	±0.3

Electrical Characteristics For SMD Type

Part Number	Frequency Range(MHz)	Frequency Accuracy(at25°C)	Frequency Stability	Operating Temperature	Aging for Ten Year(%)
ZTACC...MG	2.00~8.00	±0.5	±0.3	-25~+85°C	±0.3
ZTACR...MG	4.00~8.00	±0.5	±0.3	-25~+85°C	±0.3
ZTACE...MG	8.00~12.00	±0.5	±0.3	-25~+85°C	±0.3
ZTACS...MT/MX	6.00~60.00	±0.5	±0.3	-25~+85°C	±0.3
ZTACV...MT/MX	8.00~60.00	±0.5	±0.3	-25~+85°C	±0.3
ZTACW...MX	20.00~60.00	±0.5	±0.3	-25~+85°C	±0.3
ZTACZ...MX	24.00~60.00	±0.5	±0.3	-25~+85°C	±0.3
ZTACP...MG	2.00~12.00	±0.5	±0.3	-25~+85°C	±0.3

Dimensions

Units:mm



Part Number	Size (mm)					
	L	W	H	P1	P2	T
ZTACC...MG	7.4±0.2	3.4±0.2	1.8±0.2	1.2±0.2	1.2±0.2	5.0±0.2
ZTACR...MG	4.5±0.2	2.0±0.2	1.2max	0.8±0.2	0.8±0.2	1.5±0.2
ZTACE...MG	3.2±0.2	1.3±0.2	1.0max	0.4±0.2	0.4±0.2	1.2±0.2
ZTACS...MX/MT	4.7±0.2	4.1±0.2	(1.2+A)±0.2	1.0±0.2	0.8±0.2	3.9±0.2
ZTACV...MT/MX	3.7±0.2	3.1±0.2	(1.0+A)±0.2	0.9±0.2	0.7±0.2	3.0±0.2
ZTACW...MX	2.5±0.2	2.0±0.2	1.2max	0.5±0.2	0.4±0.2	2.0±0.2
ZTACZ...MX	2.2±0.2	1.8±0.2	1.2max	0.4±0.2	0.5±0.2	1.7±0.2
ZTACP...MG	6.0±0.2	3.0±0.2	1.8±0.2	1.2±0.2	1.2±0.2	5.0±0.2

Note: A stands for thickness of the ceramic element, which varies with the frequency. The range of the thickness difference is 0.1 to 0.7mm.
No middle terminal for ZTA series.