

SMD KHz Crystals 1.6 x 1.0 x 0.5 (max) mm 9H T12 Series

Features

- 2 pads surface mount package.
- Application for NB, Smart Phone, variety of compact portable consumer products reference clocks.
- High reliable environmental performance.
- RoHS compliant /Pb Free.



Electrical Specifications

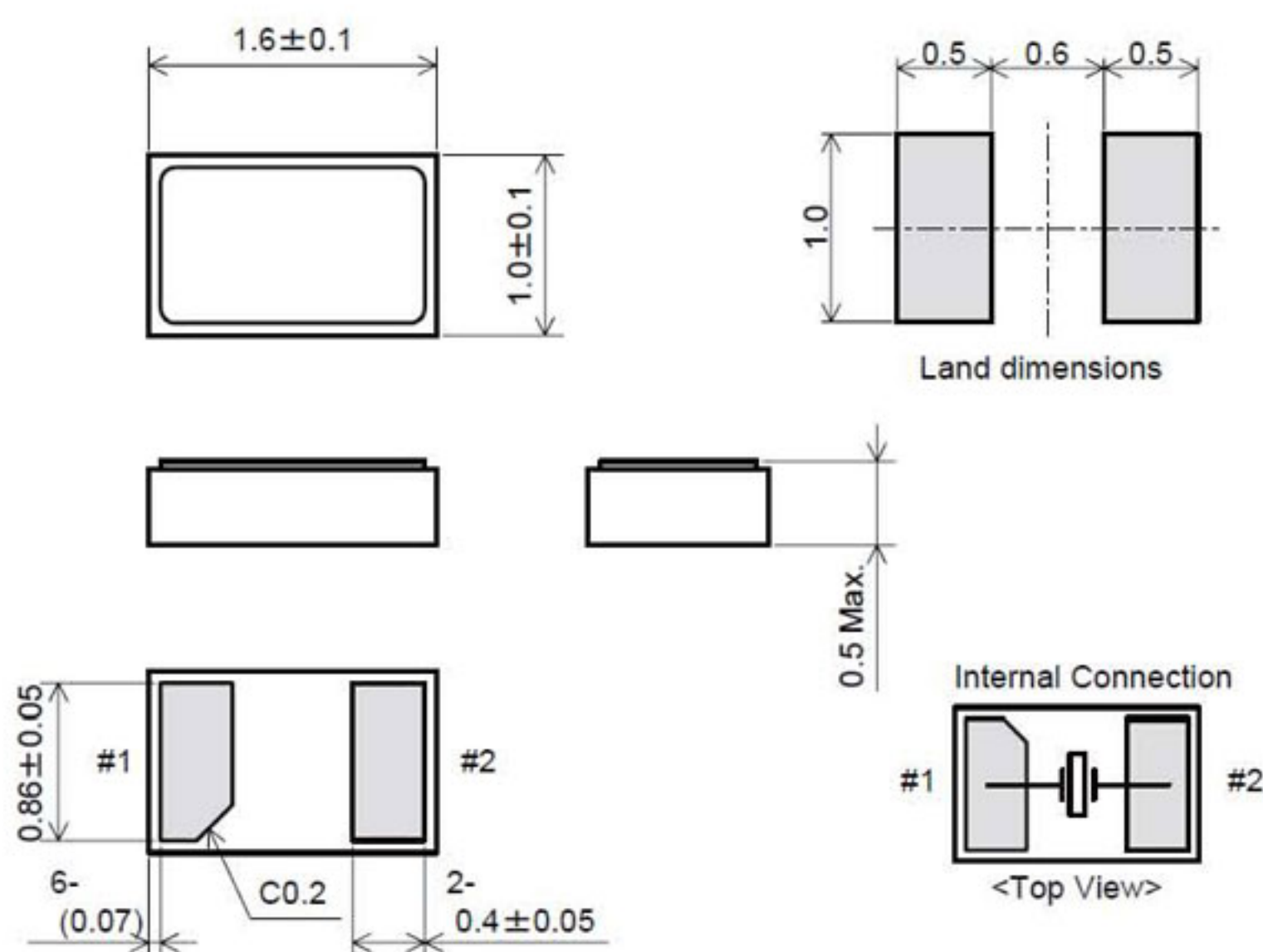
Item / Type	9H T12
Norminal Frequency	32.768 KHz
Frequency Tolerance(at 25 °C)	± 20 ppm , or specify
Operation Temperature Range	- 40 ~ + 85 °C
Shunt Capacitance (C0)	1.2 pF typical
Motional Capacitance (C1)	6.0 fF typical
Insulation Resistance (IR)	500 MΩ Min.
Drive Level (DL)	0.5 μW Max.
Load Capacitance(CL)	12.5 pF
Turnover Temperature (Ti)	25 °C ± 5 °C
Parabolic Coefficient (B)	- 4.0 * 10 ⁻⁸ / °C ²
Aging (at 25 °C)	± 3 ppm at first year
Storage Temperature Range	- 55 ~ +125 °C

Equivalent Series Resistance(ESR)

T10

90 KΩ Max

Dimensions



Units: mm