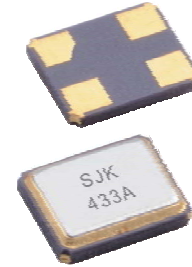


## Features

- Ultra smallest size 3.2×2.5×0.68mm, surface mounting package.
- 1-port resonator.
- Very low cost than other SMD package.
- Electrostatic Sensitive Devices (ESD).
- Other frequency available.
- Automatic mounting, solder reflow capable.
- Applications for automotive electronics, Remote control, and more.
- RoHS Compliant / Pb-Free.

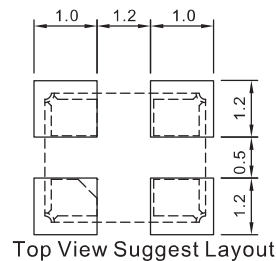
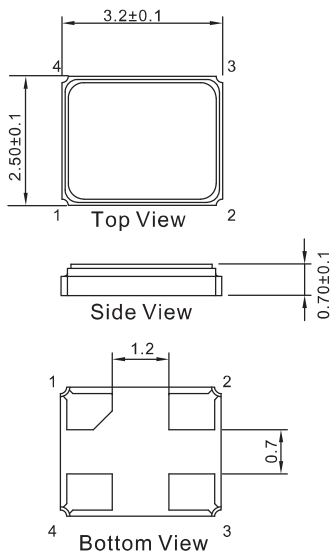


## Electrical Specifications

Item			Minimum	Type	Maximum	Unit
Center Frequency	Absolute Frequency	$F_c$	315,433.92			MHz
	Tolerance form 433.92MHz	$\Delta F_c$		$\pm 75$		KHz
Insertion Loss (Min.)		IL		1.5	2.0	dB
Quality Factor	Unloaded Q	$Q_u$	18362			
	50Ω loaded Q	$Q_L$	2150			
Temperature Stability	Turnover temperature	$T_0$	20	40	55	°C
	Turnover frequency	$F_0$	$F_c$			
	Frequency temperature coefficient	FTC	0.032			ppm/°C
Frequency Aging	Absolute value during the first year	$ F_A $	$\leq 10$			ppm/yr
DC Insulation Resistance between Any Two Pins			1.0			MΩ
RF Equivalent RLC Model	Motional Resistance	$R_M$		13.2	18.0	Ω
	Motional Inductance	$L_M$		89.4	110.2	μH
	Motional Capacitance	$C_M$		1.5		fF
	Static Capacitance	$C_0$	1.45	1.75	2.05	pF
Operating Temperature Range		T	-40		+85	°C
Storage Temperature Range		$T_{stg}$	-55		+125	°C
DC Voltage		$V_{DC}$		10		V

## Dimensions

Units:mm



### Pin Connection

Name	Connection
Pin 1	Input
Pin 2	GND
Pin 3	Output
Pin 4	GND