

# SMD LVPECL Crystal Oscillator

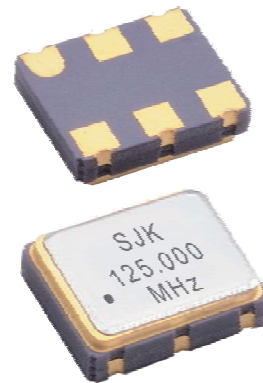


Size: 3.2×2.5×0.95 mm

3J Series SMD LVPECL Oscillator

## Features

- Fundamental solution or 3rd overtone solution.
- 3.3V / 2.5V operation voltage.
- Package size: 3.2×2.5×0.95 mm.
- LVPECL output, output frequencies 25MHz to 200MHz.
- Excellent low phase noise and jitter.
- 3-state function available.
- Automatic mounting and reflow soldering.
- Applications: Fiber channel, Gigabit ethernet, Serial ATA, Serial attached SCSI, PCI-Express, SDH, SONET, Server, etc.
- RoHS Compliant / Pb-Free.



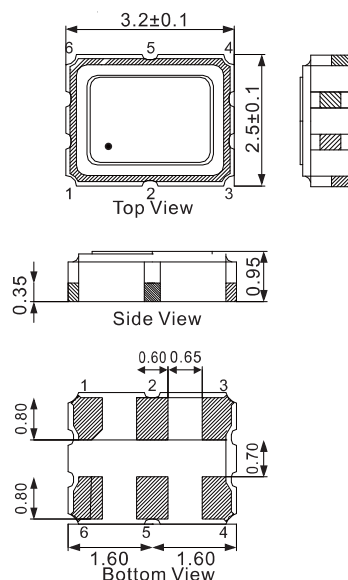
## Electrical Specifications

Item /Type	3J (SMD 3225 LVPECL Crystal Oscillator)
Output Type	LVPECL
Output Load	50 Ω to VDD-2V
Oscillation Mode	Fundamental / 3rd Overtone
Supply voltage	2.5V, 3.3V
Frequency range	25MHz~200MHz
Overall Frequency Stability*	±50ppm, or specify
Operating Temperature Range	-20~+70°C, -40~+85°C, or specify
Storage Temperature Range	-55~+125°C
Voltage Vol (Typ.) / Voh (Typ.)	VDD-1.62V / VDD-1.025V
Rise(Tr) / Fall(Tf) Time(20%~80%)	1ns Max.
Supply Current	80mA Max.
Symmetry	45~55%
Start-up Time	10ms Max.
Phase Jitter(12KHz~20MHz)	1pS Max.

\* Inclusive of frequency tolerance at 25°C, variation over temperature, supply voltage variation, aging and vibration.

## Dimensions

Units:mm



### PAD FUNCTION:

- 1: ENABLE CONTROL or NC
- 2: ENABLE CONTROL or NC
- 3: GND
- 4: OUT
- 5: OUTN
- 6: VDD

