

# SMD HCSL Crystal Oscillator

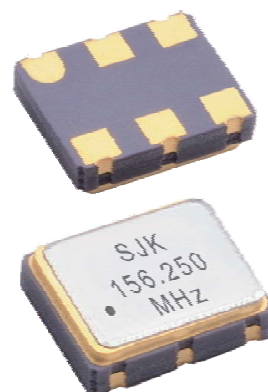


Size: 3.2×2.5×0.95 mm

3H Series SMD HCSL Oscillator

## Features

- Package size: 3.2×2.5×0.95mm.
- 3rd overtone solution.
- 3-state function.
- 3.3V and 2.5V operation available.
- HCSL output frequencies 25MHz to 200MHz.
- Excellent low phase noise and jitter.
- PCI-Express, PC, Peripherals, Server, SAS, SATA and other high-Speed interface applications.
- Low current consumption.
- RoHS Compliant / Pb-Free.



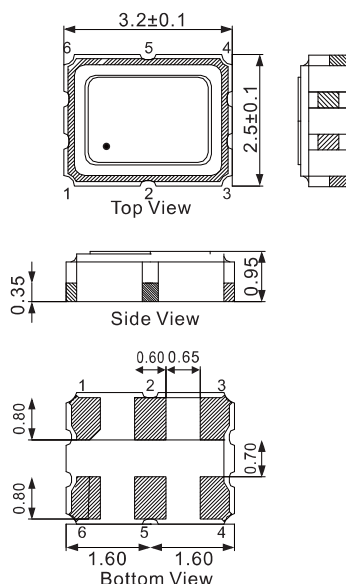
## Electrical Specifications

Item /Type	3H (SMD 3225 HCSL Crystal Oscillator)
Output Type	HCSL
Output Load	50 Ω
Oscillation Mode	3rd Overtone
Supply voltage	2.5V, 3.3V
Frequency range	25MHz~200MHz
Overall Frequency Stability*	±50ppm, or specify
Operating Temperature Range	-20~+70°C, -40~+85°C, or specify
Storage Temperature Range	-55~+125°C
Voltage Vol (Typ.) / Voh (Typ.)	0mV /740mV
Rise(Tr) / Fall(Tf) Time(20%~80%)	0.5ns Max.
Supply Current	30mA Max.
Symmetry	45~55%
Start-up Time	10ms Max.
Phase Jitter(12KHz~20MHz)	0.2 pS Typ. , 1.0pS Max.

\* Inclusive of frequency tolerance at 25°C, variation over temperature, supply voltage variation, aging and vibration.

## Dimensions

Units:mm



### PAD FUNCTION:

- 1: ENABLE CONTROL or NC
- 2: ENABLE CONTROL or NC
- 3: GND
- 4: OUT
- 5: OUTN
- 6: VDD