

SMD LVDS Crystal Oscillator

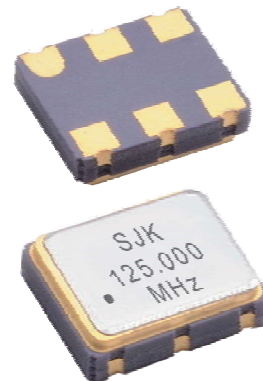


Size: 3.2×2.5×0.95 mm

3D Series SMD LVDS Oscillator

Features

- Fundamental solution or 3rd overtone solution.
- 3.3V / 2.5V operation voltage.
- Package size: 3.2×2.5×0.95 mm.
- LVDS output, output frequencies 25MHz to 200MHz.
- Excellent low phase noise and jitter.
- 3-state function available.
- Automatic mounting and reflow soldering.
- Applications: Fiber channel, Gigabit ethernet, Serial ATA, Serial attached SCSI, PCI-Express, SDH, SONET, etc.
- RoHS Compliant / Pb-Free.



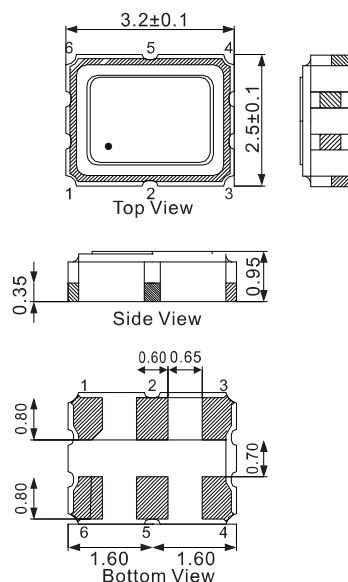
Electrical Specifications

| Item /Type | 3D (SMD 3225 LVDS Crystal Oscillator) |
|-----------------------------------|---------------------------------------|
| Output Type | LVDS |
| Output Load | 100 Ω |
| Oscillation Mode | Fundamental / 3rd Overtone |
| Supply voltage | 2.5V, 3.3V |
| Frequency range | 25MHz~200MHz |
| Overall Frequency Stability* | ±50ppm, or specify |
| Operating Temperature Range | -20~+70°C, -40~+85°C, or specify |
| Storage Temperature Range | -55~+125°C |
| Voltage Vol (Typ.) / Voh (Typ.) | 0.9V / 1.6V |
| Rise(Tr) / Fall(Tf) Time(20%~80%) | 1ns Max. |
| Supply Current | 80mA Max. |
| Symmetry | 45~55% |
| Start-up Time | 10ms Max. |
| Phase Jitter(12KHz~20MHz) | 1pS Max. |

* Inclusive of frequency tolerance at 25°C, variation over temperature, supply voltage variation, aging and vibration.

Dimensions

Units:mm



PAD FUNCTION:

- 1: ENABLE CONTROL or NC
- 2: ENABLE CONTROL or NC
- 3: GND
- 4: OUT
- 5: OUTN
- 6: VDD