

SMD 3225 RTC Crystal Oscillator

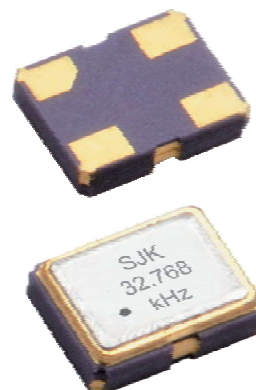


Size: 3.2×2.5×1.00 mm

3C Series SMD RTC Oscillator

Features

- 3225 size, 1.0mm high, ultra small 32.768kHz RTC oscillator in seam sealed ceramic package.
- 4 pads design to achieve good soldering contact on PCB.
- 3-state function available for power saving.
- Automatic mounting and reflow soldering.
- Applications: Peripherals, Bluetooth, DSC, PC, Mobile phone, PDA, DVC, Telecommunications, NFC, etc.
- Use AT crystal as the resonator for good temperature performance.
- RoHS Compliant / Pb-Free.

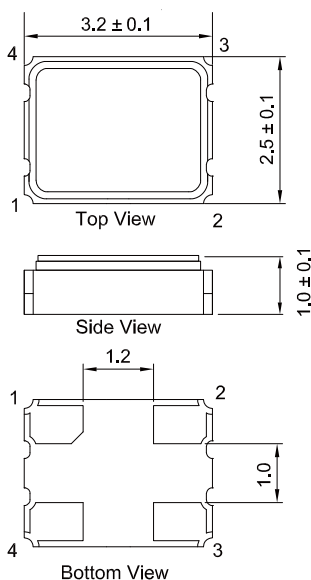


Electrical Specifications

Item /Type	3C (SMD 2520 RTC Crystal Oscillator)
Normal Frequency	32.768 kHz
Oscillator Mode	AT Fundamental
Oscillation Mode	CMOS
Output Type	15pF, or specify
Supply voltage	2.8V, 3.3V
Frequency Stability	±25ppm, ±50ppm
Operating Temperature Range	-20~+70°C, -40~+85°C, or specify
Storage Temperature Range	-55~+125°C
Voltage Vol (Max.) / Voh (Min.)	0.1VDD / 0.9VDD
Rise(Tr) / Fall(Tf) Time	300ns Max.
Current Consumption	3mA Max.
Symmetry	45~55%
Start-up Time	10ms Max.
3-state Voltage Vol (Max.) / Voh (Min.)	0.3VDD / 0.7VDD
Aging (at 25°C)	±3ppm/Year Max.

Dimensions

Units:mm



PAD FUNCTION:
 1: ENABLE CONTROL
 2: GND
 3: OUT
 4: VDD

